

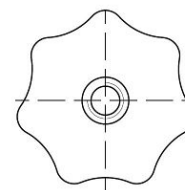
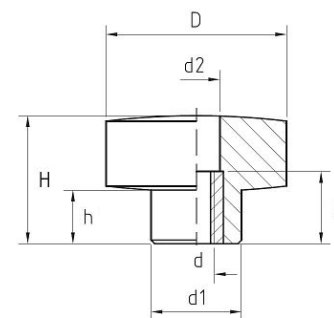
V7BP

Volantino 7 Punte con Boccia Ottone Filettata Passante

Star Knob, 7 Points, Threaded Through-Insert



Cod.	D	d	P	d2	H	h	d1	Peso Weight gr	U.V.
B1V7BP3004	30	04MA	15	10	23	10	17	13	20
B1V7BP3005	30	05MA	15	10	23	10	17	14	20
B1V7BP3006	30	06MA	15	10	23	10	17	15	20
B1V7BP3008	30	08MA	15	10	23	10	17	16	20
B1V7BP4006	40	06MA	20	10,5	27	11	21	35	20
B1V7BP4008	40	08MA	20	10,5	27	11	21	31	20
B1V7BP4010	40	10MA	20	10,5	27	11	21	32	20
B1V7BP5008	50	08MA	20	12,5	35	15	25	57	20
B1V7BP5010	50	10MA	20	12,5	35	15	25	58	20
B1V7BP5012	50	12MA	20	12,5	35	15	25	61	20
B1V7BP6008	60	08MA	20	14	39	18	28	73	20
B1V7BP6010	60	10MA	20	14	39	18	28	82	20
B1V7BP6012	60	12MA	20	14	39	18	28	85	20
B1V7BP7010	70	10MA	26	19	42	18	30	113	20
B1V7BP7012	70	12MA	26	19	42	18	30	116	20
B1V7BP7014	70	14MA	26	19	42	18	30	121	20
B1V7BP7016	70	16MA	26	19	42	18	30	115	20
B1V7BP8012	80	12MA	26	17	53	28	32	170	20
B1V7BP8016	80	16MA	26	17	53	28	32	167	20



Caratteristiche

Materiale Corpo:

Fenoplasto rinforzato di colore nero, resistente a solventi, oli, grassi ed altri agenti chimici (PF)

Parte Metallica e/o Fissaggio:

Boccia in ottone con foro passante filettato

Product specification

Main Part Material:

Black phenoplast, resistant to solvents, oils, greases and other chemical agents (PF)

Metal and/or Fastening part:

Brass insert, threaded through-hole